



Empower • Mobilize • Manage

ST7 WALL MOUNT

QUICK RESOURCE GUIDE





Empower • Mobilize • Manage

ST7 WALL MOUNT

QUICK RESOURCE GUIDE



PRODUCT SPECIFICATIONS

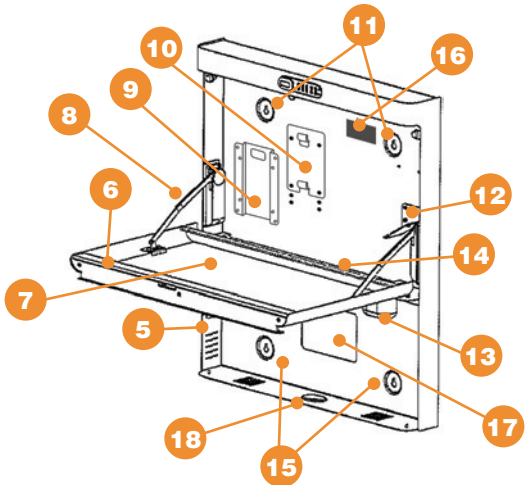
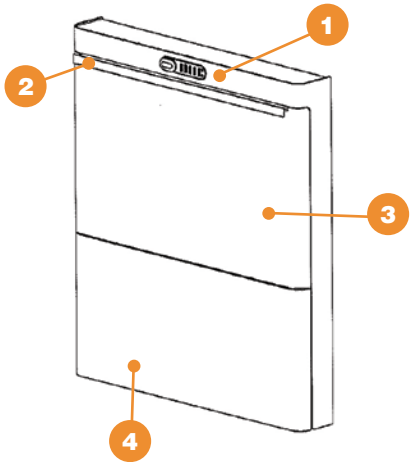
- Size: 30.5" H x 27.2" W x 4" D
- Weight: 49 lbs.

INCLUDED HARDWARE & ACCESSORIES

- Monitor Mounting Set
 - VESA Mount
 - Retention Plate
- Universal Corded Scanner Bracket
- Cordless Scanner Bracket
- Multi-Purpose Cubby
- 3M™ Dual Lock™ Strips
- M4 Monitor Screws
- Quick Resource Guide

KEY FEATURES

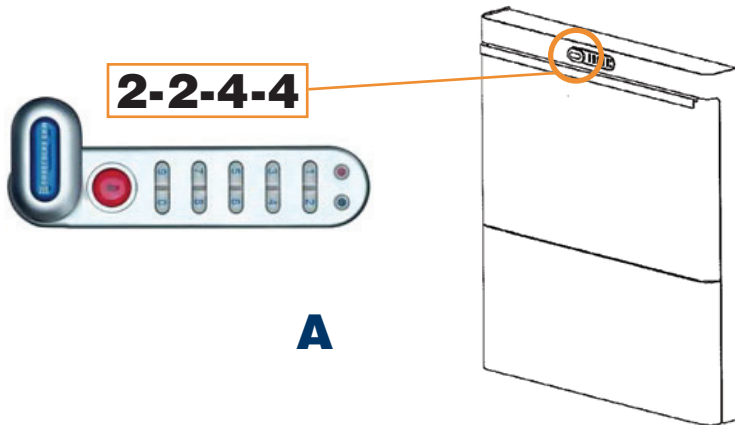
- 1** Electronic Keypad Lock
- 2** Anodized Aluminum Handle
- 3** Upper Tech Bay Cover
- 4** Lower Tech Bay Door
- 5** Computer Power Button
Access and Side Vents
- 6** Wrist Rest
- 7** Work Surface
- 8** Linear Damper Hinges
- 9** Monitor VESA Bracket
- 10** Monitor Retention Plate
- 11** Upper Wall Mounting Locations
- 12** Scanner Bracket
- 13** Multi-purpose Cubby
- 14** Cable Management Routing Ports
- 15** Lower Wall Mounting Locations
- 16** Asset Tag/Support Numbers
- 17** Hardwire Cable Management Port
- 18** Outlet Plug Cable Management Port

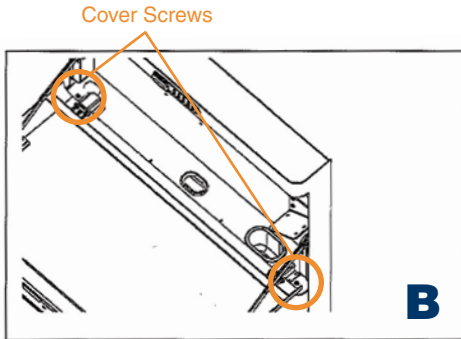


OPENING THE ST7 WALLMOUNT

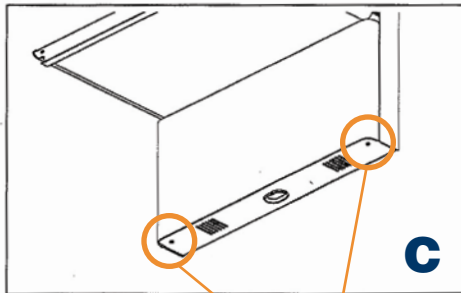
To open the upper tech bay door, enter 2-2-4-4 into the electronic lock and rotate the oval lever upwards (Diagram A). Open the door by pulling on the handle until it is parallel to the floor.

To close the upper tech bay door, gently push up on the door. The linear damper hinges will self-close the door in a slow, controlled manner. Once the door is completely closed, rotate the oval lever on the electric lock downwards.





To open the lower tech bay cover, remove the four (4) screws holding the cover in place. The top two (2) screws are located at the bottom of the upper tech bay section (Diagram B).



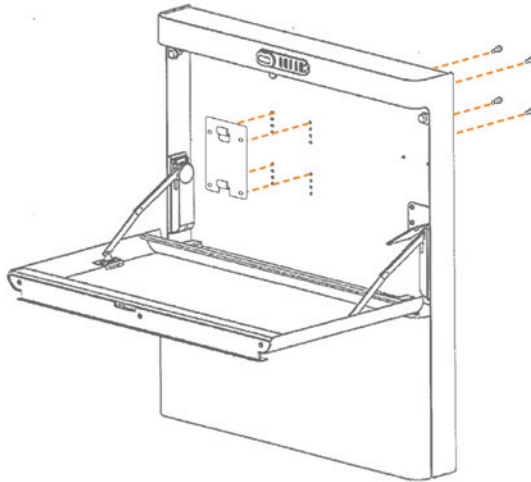
The bottom two (2) screws are located at the bottom of the lower tech bay section (Diagram C).

To close the lower tech bay, replace the cover and securely fasten all four (4) screws.

Cover Screws

RETENTION PLATE INSTALLATION

Depending on the model, the retention plate comes pre-installed from the factory. If the retention plate is not pre-installed, the plate must be installed before attaching the ST7 Wall Mount cabinet to the wall. Multiple mounting holes are provided on the back panel of the upper tech bay to allow monitor height adjustability. Securely install the plate with four (4) screws provided to the back side of the cabinet (Diagram D).

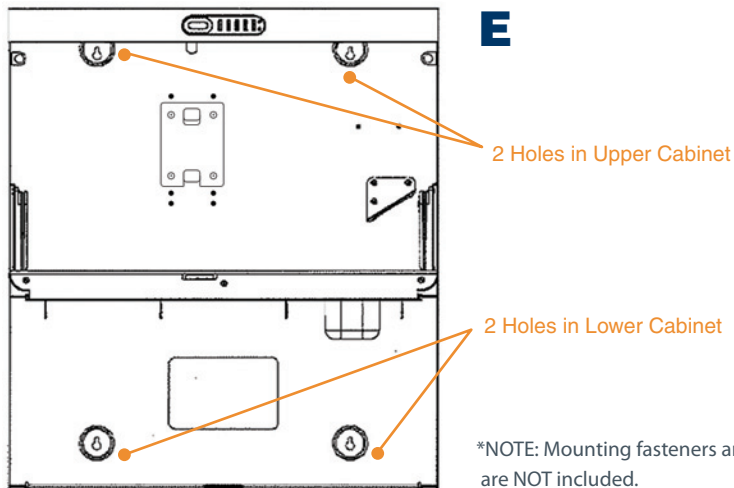


D

WALL MOUNT INSTALLATION

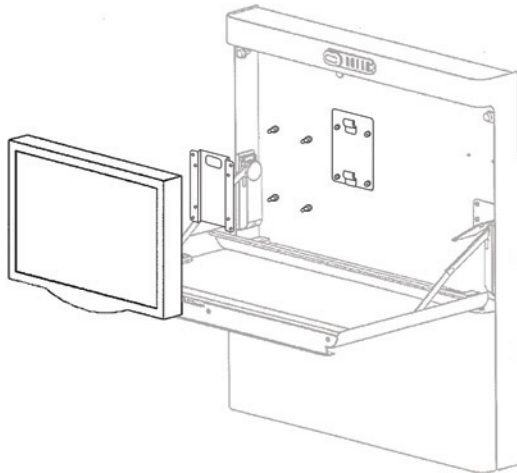
Install ST7 Wall Mount cabinet on the wall using the four (4) mounting locations (Diagram E). The mounting pattern is 16" wide by 24.75" tall. The keyhole feature allows the mounting fasteners* to be installed in the wall first and then the cabinet hung on them for easier installation. Securely tighten the mounting fasteners* after the cabinet is on the wall.

Once mounted on the wall, the technology components can be installed.



VESA MOUNT AND MONITOR INSTALLATION

Securely attach the VESA mount to the back of the monitor* with the four (4) screws provided. To affix the monitor* to the ST7 Wall Mount, gently slide the VESA mount onto the two hooks of the retention plate (already installed on the cabinet) (Diagram F).

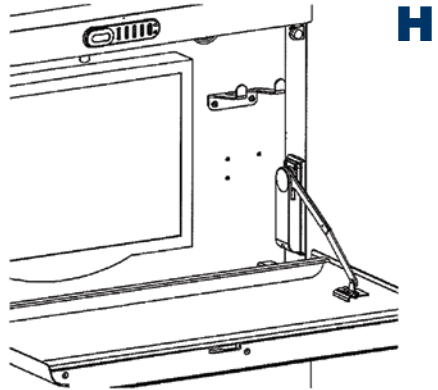
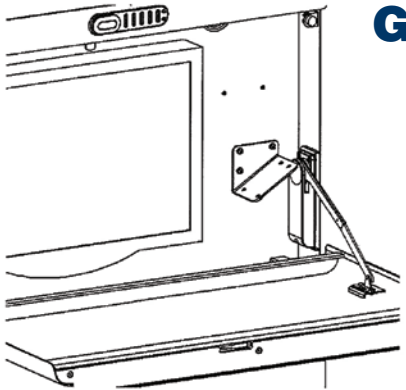


F

*NOTE: Monitor NOT included.

SCANNER BRACKET INSTALLATION

The cordless scanner bracket comes pre-installed from the factory (Diagram G). To install the universal corded scanner bracket, first detach the cordless scanner bracket by removing all three (3) screws holding it in place. The mounting holes for the universal corded scanner bracket are located directly above the mounting holes of the cordless scanner bracket (Diagram H). Install the universal corded scanner bracket with two (2) of the screws removed from the cordless scanner bracket. The tabs on the end of the bracket should be facing up to provide adequate cradling to keep the scanner in place.

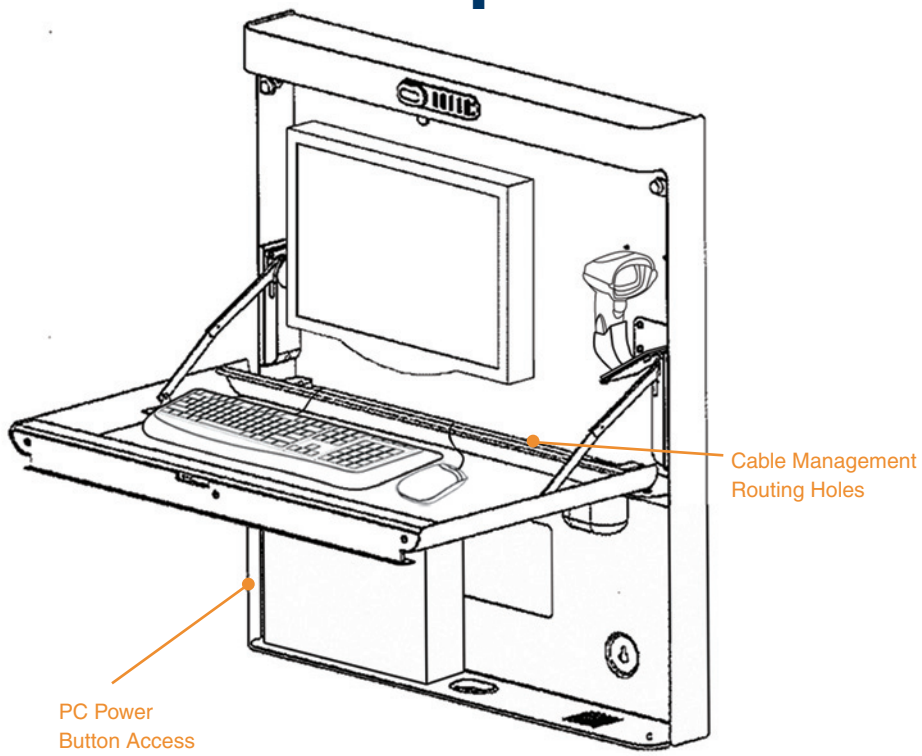


TECHNOLOGY INSTALLATION

The upper tech bay is designed to accommodate a monitor, keyboard, mouse and scanner. Using the 3M™ Dual Lock™ strips provided, securely affix the keyboard to the work surface in a comfortable typing position. All technology cables should be neatly routed through the cable management ports located at the bottom of the upper tech bay to prevent cable damage when opening and closing the door (Diagram I).

The multi-purpose cubby can be used as a mouse holder. All technology components should be placed in the appropriate storage locations before the door is closed to prevent damage.

The lower tech bay is designed to accommodate a computer, power strip, power bricks and excess cables. The computer should be placed on the bottom ledge so the power button is accessible through the left side vent with a small tool (Diagram I). This will allow users to turn the computer on and off without removing the lower tech bay cover. Using the 3M™ Dual Lock™ strips provided, affix any heavy components to the back panel of the tech bay to prevent anything from shifting or falling out when the cover is removed.



ELECTRONIC KEYPAD LOCK

GENERAL OPERATING INSTRUCTIONS

The default master lock code is 2-2-4-4. To unlock, enter the code on the corresponding push buttons. The Blue LED will turn on indicating acceptance of the code. Rotate the oval lever upwards. To lock, rotate the oval lever downwards.

TAMPER TIME OUT / PENALTY TIME

Entering three incorrect codes will cause the lock to shutdown for 10 seconds.

BATTERY POWER

The electronic lock is powered by two (2) AAA 1.5v batteries. The lock will provide over 15,000 openings before the low battery signal starts.

LOW POWER

When the battery power is low, the Red LED will flash 3 times after a code has been entered. Batteries should be changed immediately. The lock will operate on low power for approximately 100 openings.

BATTERY REPLACEMENT

For battery replacement instruction, visit www.infologix.com/st7wallmount/lock

BATTERY FAILURE OVERRIDE

If a low power signal is ignored, the electronic lock will stop working. The lock has a build-in override feature to provide access to replace the batteries. For battery failure override instruction, visit www.infologix.com/st7wallmount/lock

PROGRAMMING AND CODING

The electronic lock has a variety of programming and coding features.

- Master Code Commands
- Sub-Master Code Commands
- User Code Commands

For full instructions, visit www.infologix.com/st7wallmount/lock

TECHNICAL SUPPORT

To initiate support, call 215-639-8899 or 800-328-0030; at the menu prompt, select InfoLogix Support. We can be reached Monday through Friday from 8:30 AM to 5:30 PM Eastern time. Or online at [**www.infologix.com/support**](http://www.infologix.com/support).

ABOUT INFOLOGIX

InfoLogix is a leading provider of enterprise mobility and advanced wireless asset tracking solutions for the healthcare and commercial industries. InfoLogix uses the industry's most advanced technologies to increase the efficiency, accuracy, and transparency of complex business and clinical processes.

With 19 issued patents, InfoLogix provides mobile managed solutions, on-demand software applications, mobile infrastructure products, and strategic consulting services to over 2,000 clients in North America including Kraft Foods, Merck and Company, General Electric, Kaiser Permanente, MultiCare Health System and Stanford School of Medicine.

www.infologix.com

info@infologix.com

101 E. County Line Road, Hatboro, PA 19040



QRG-WM-11/10

© 2010 InfoLogix, Inc. All rights reserved.